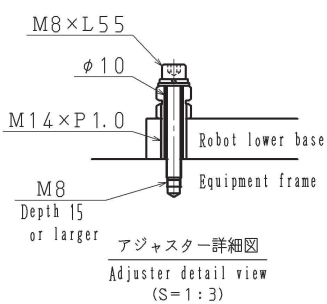
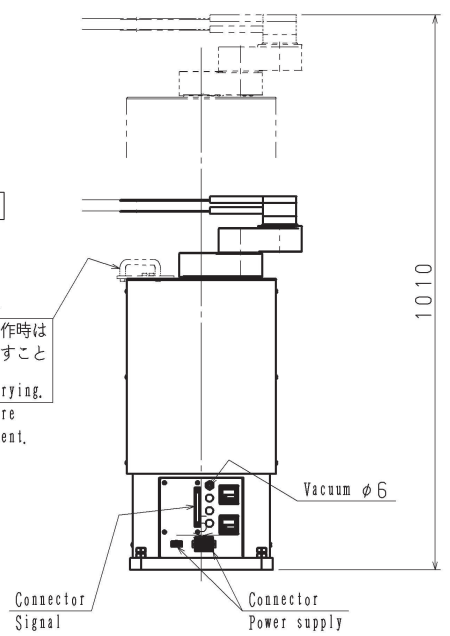
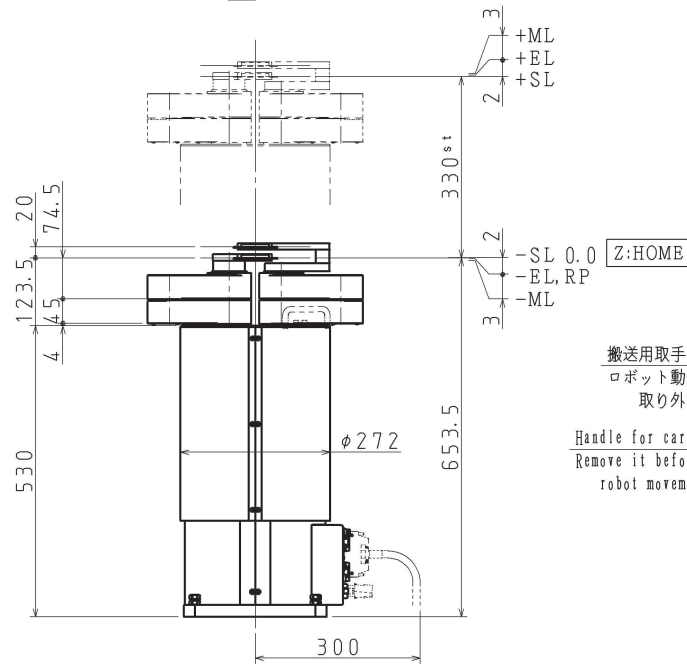
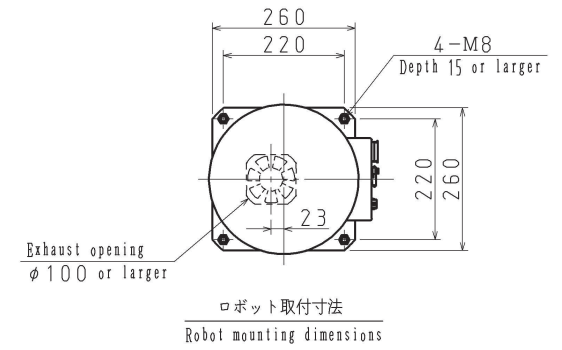
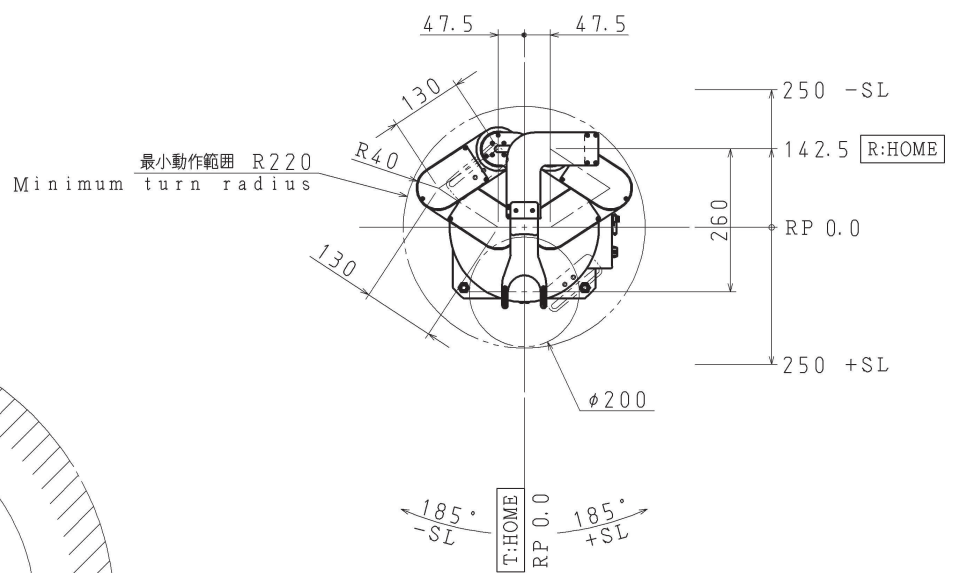
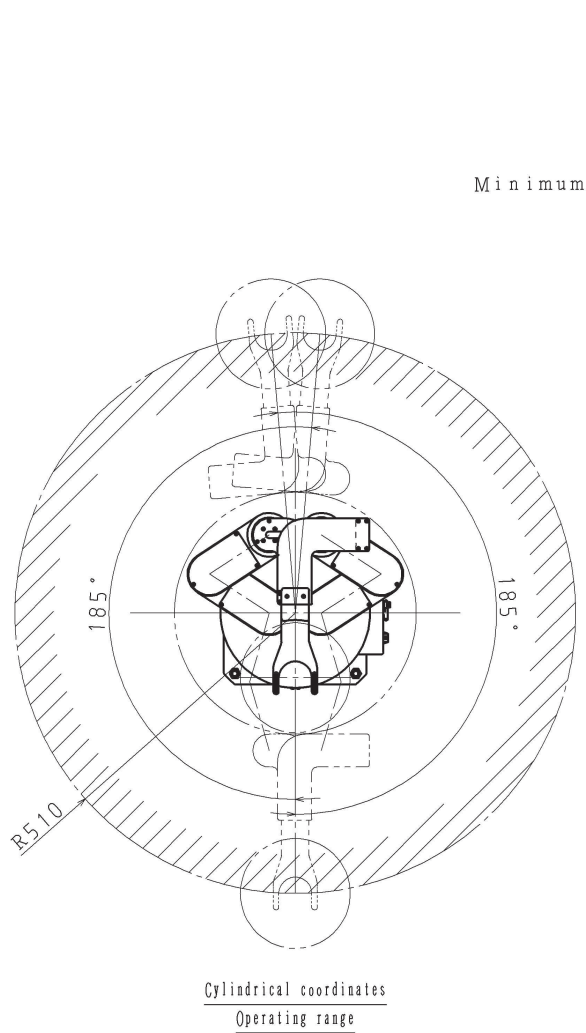


| | |
|------|-----------------------|
| MSO | Mapping Sensor offset |
| HOME | HOME position |
| RP | Reset Position |
| ±ML | Mechanical Limit |
| ±EL | Electric Limit |
| ±SL | Soft Limit |



| | | | | | | | |
|----------|-------------|--------------|------------|------------|------|--------------------------|--|
| | | TAZMO | | | | MODEL TT300A-WB | |
| SCALE | DRAW | DESIGN | CHECK | APPROVE | NAME | 外形寸法図 Outline Drawing | |
| 1:10 | 2015.02.16 | 2015.02.16 | 2015-02-18 | 2015-02-18 | No. | 88092467 | |
| Rev. No. | Description | | | | | | |