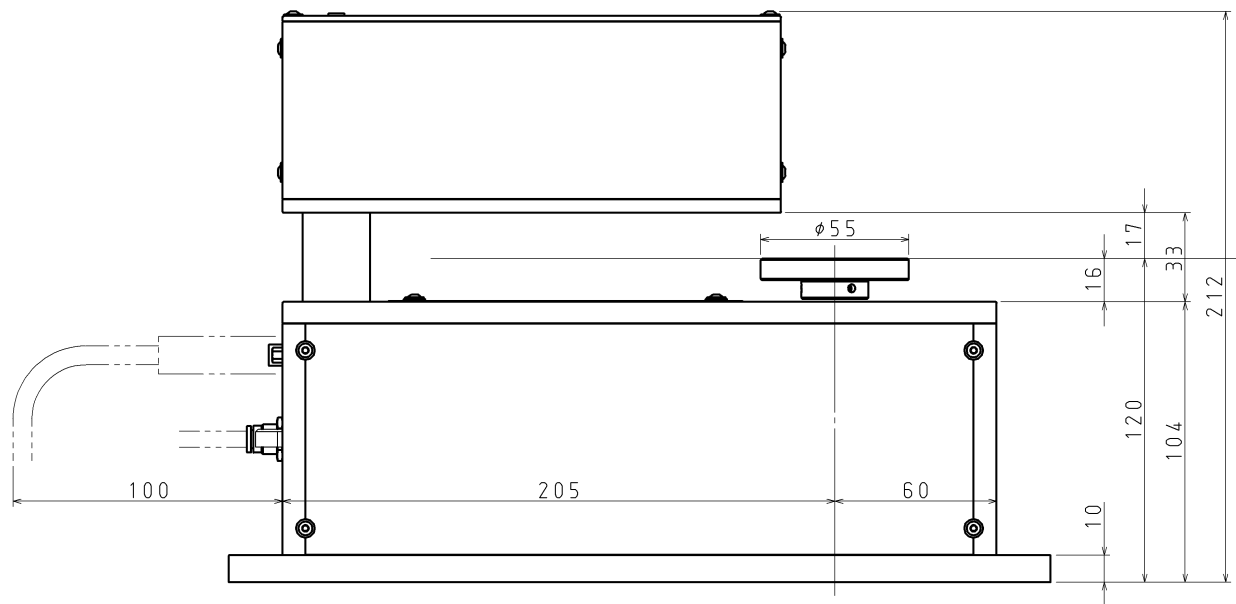
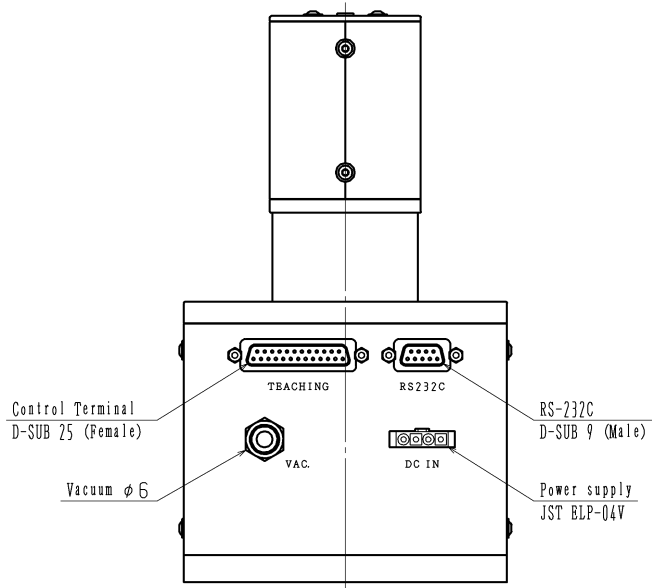
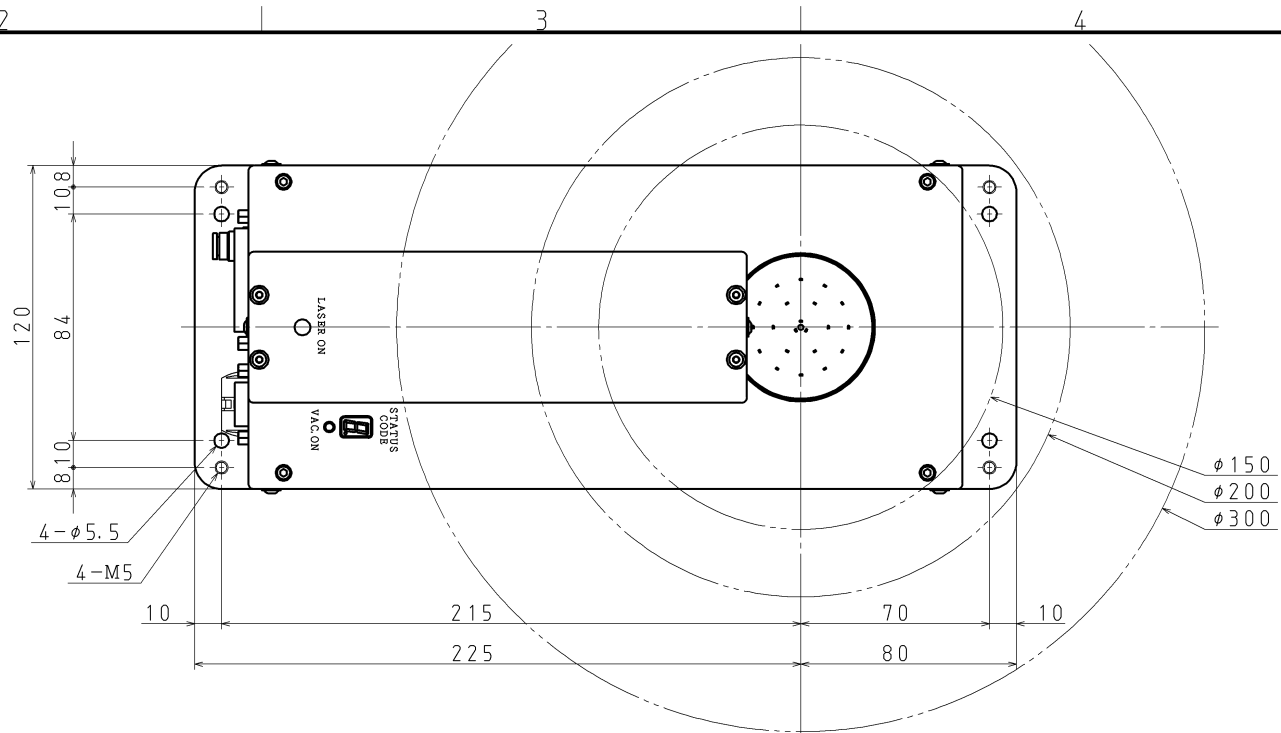


07957088



**TAZMO CONFIDENTIAL**

<b>TAZMO</b>					MODEL	TA300A-VAA-NN
SCALE	DRAW	DESIGN	CHECK	APPROVE	NAME	Outline Drawing
1:2	2013.02.14	2013.02.14	2013.02.14	2013.02.15	No.	88075620
Rev. No.	Description					