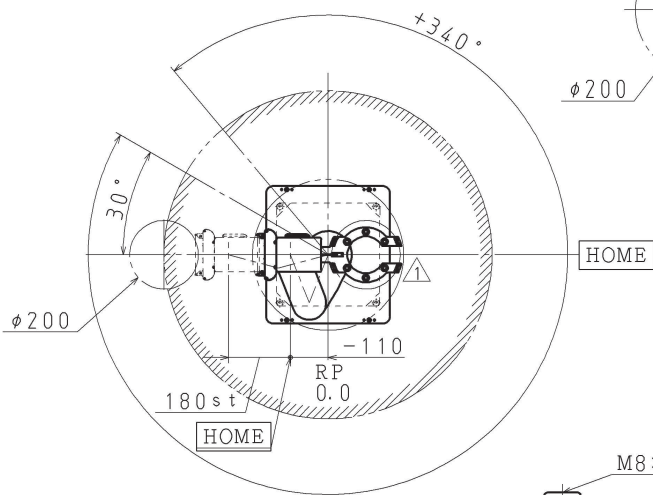
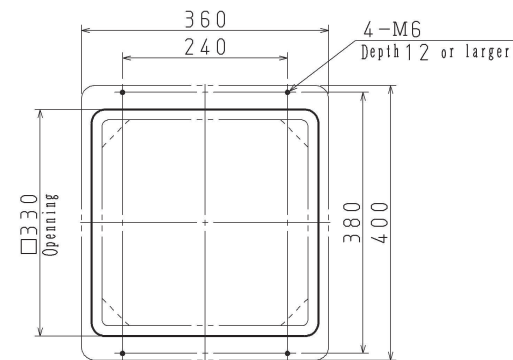
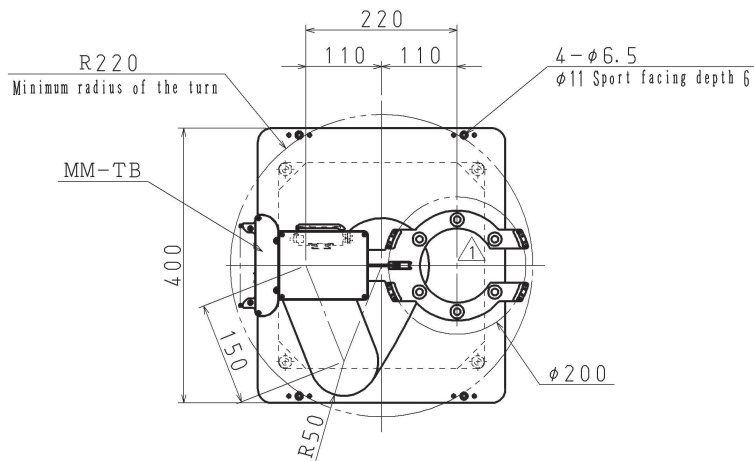


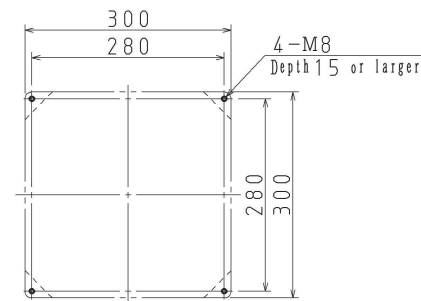
Robot operating range
(S=1:16)



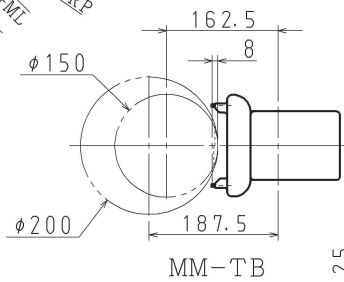
Mapping sensor
operating range
(S=1:16)



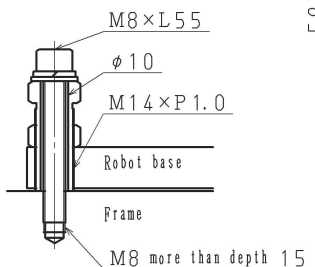
Robot mounting dimensions
(Upper installation)



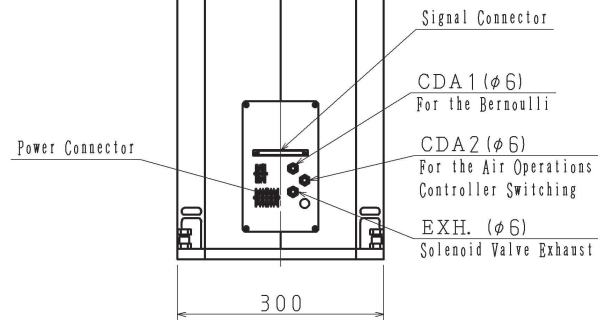
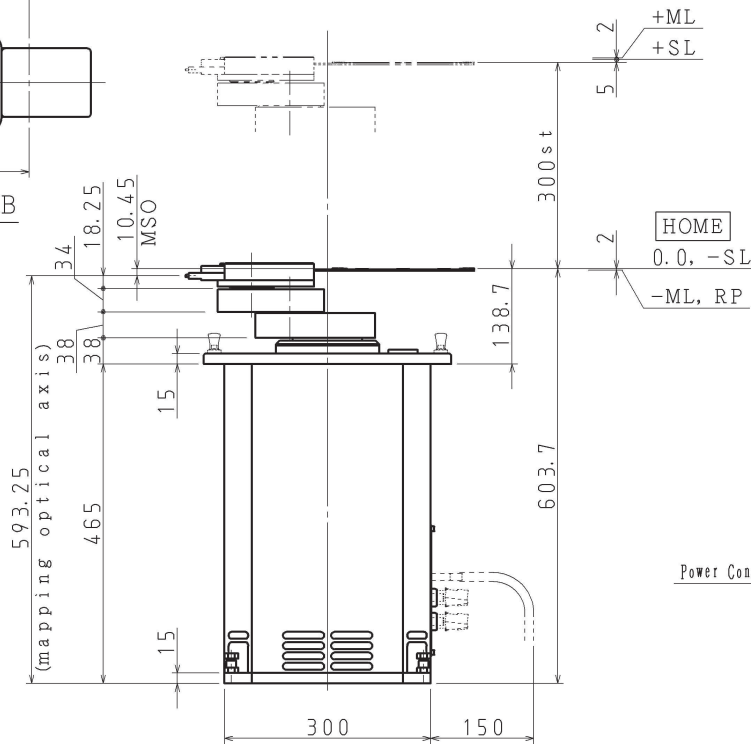
Robot mounting dimensions
(Lower installation)



MM-TB



Details of the adjuster
(S=1:2)



MSO	Mapping Sensor offset
HOME	HOME position
RP	Reset Position
+ML	Mechanical Limit
+EL	Electric Limit
+SL	Soft Limit

		TAZMO				MODEL NQS-211 (S0402)	
		SCALE	DRAW	DESIGN	CHECK	APPROVE	NAME
		1:8	Tuan	Tuan	Rev. No.	K.Yamazoe	Robot Outline Drawing
		Description		2012.01.13		No. 88075422	