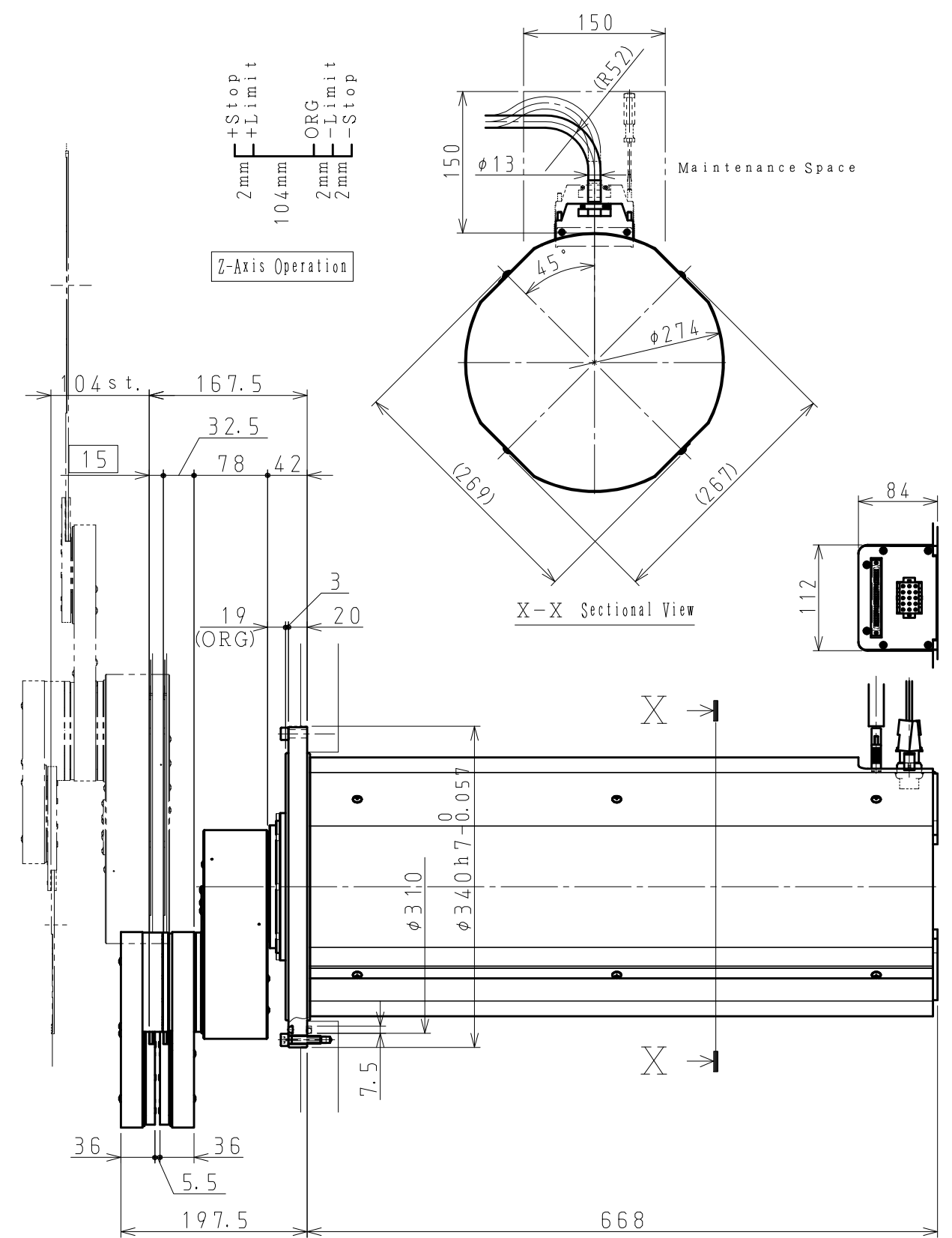


Chamber Attachment Seat Details
 (S=1:5)



		TAZMO		MODEL		S0572 (MTP-BB3-2)	
		SCALE	DRAW	DESIGN	CHECK	APPROVE	NAME
		1:6	2015.01.23	2015.01.23			Robot Dimension Drawing
Rev. No.	Description		D. FUJITA	D. FUJITA		No.	88092460