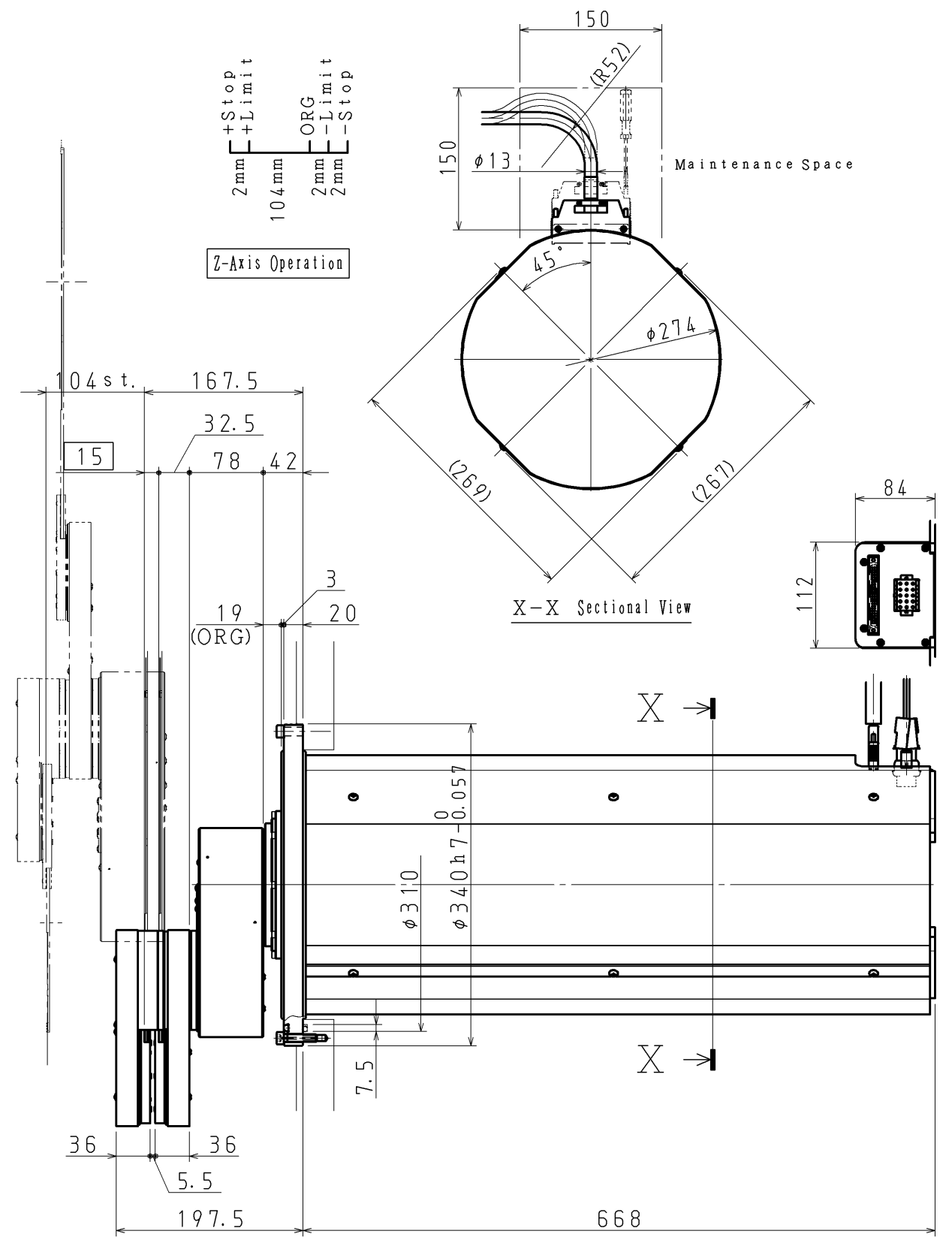


Chamber Attachment Seat Details
(S=1:5)



		TAZMO		MODEL		S0572 (MTP-BB3-2)	
		SCALE	DRAW	DESIGN	CHECK	APPROVE	NAME
		1:6	2015.01.23	2015.01.23	2015-02-06	2015-02-09	Robot Dimension Drawing
Rev. No.	Description	D. FUJITA	D. FUJITA	T. Ogawa	Y. Nishijima	No.	88092460