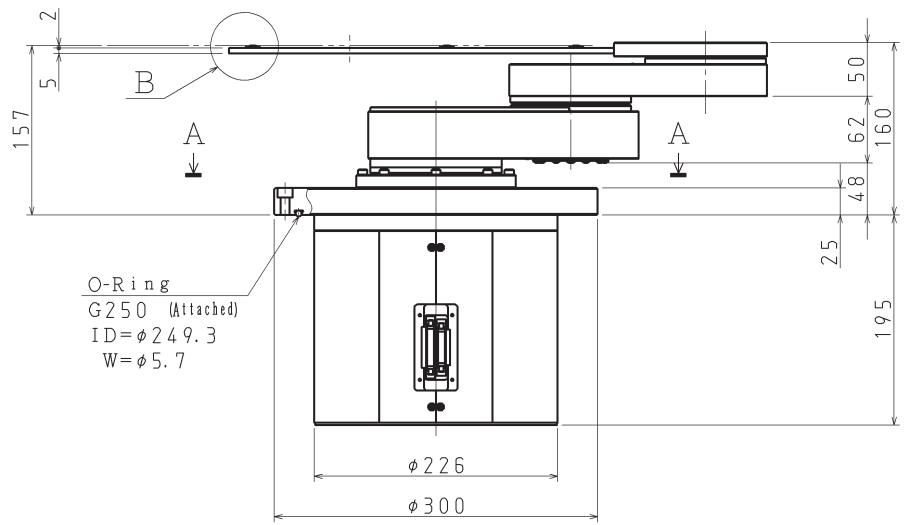
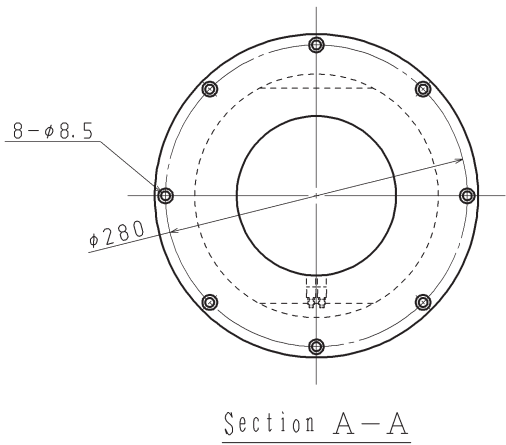
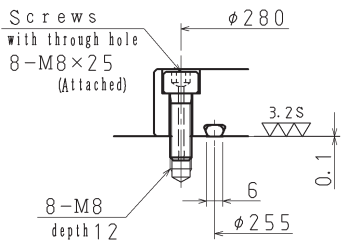
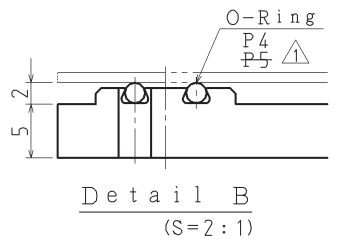
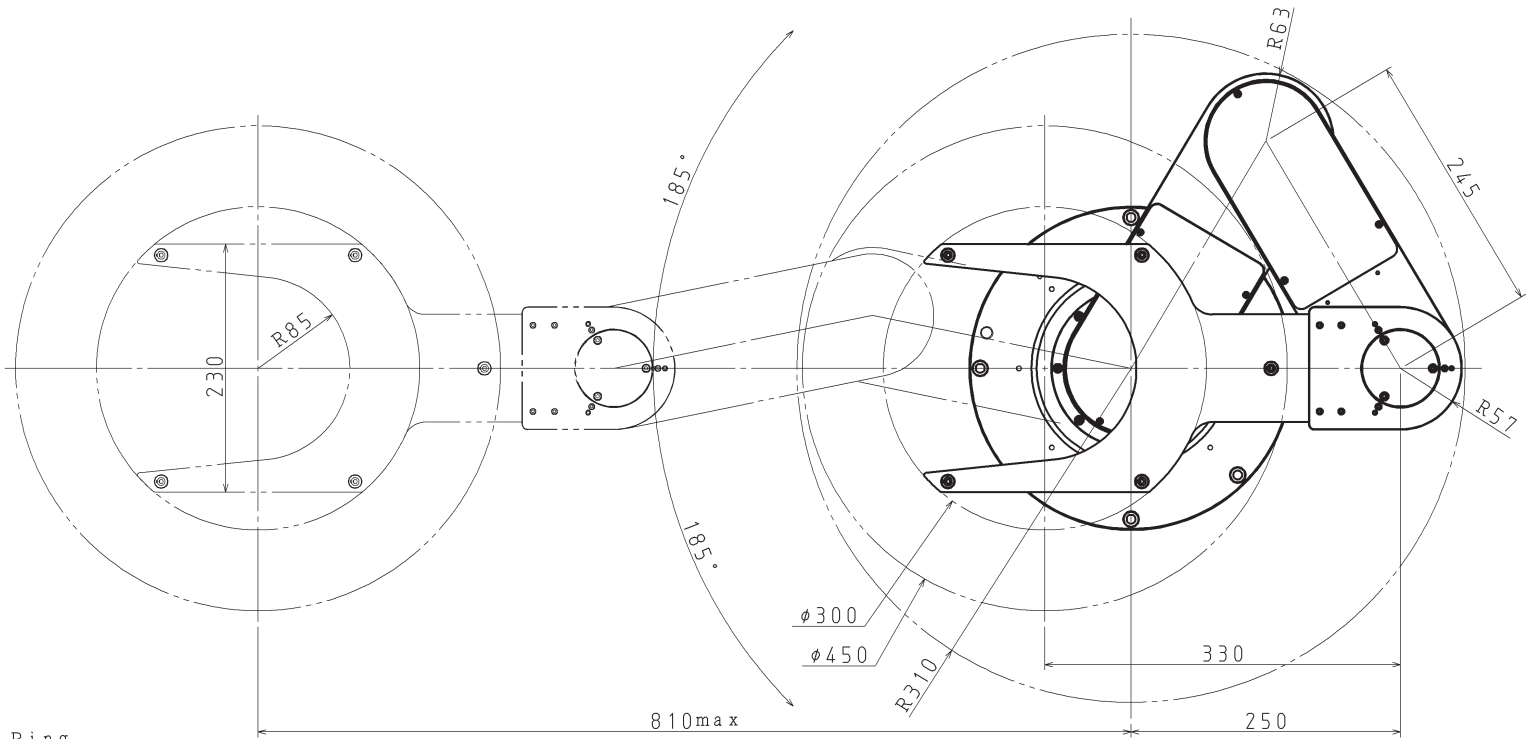


67957088



		TAZMO				MODEL	S0459
		SCALE	DRAW	DESIGN	CHECK	APPROVE	NAME
		1:5	2013.04.10	2013.04.10	13.05.10	13.05.10	Outline Drawing
△	Changed O-Ring 2013.05.10 Matsukawa	Matsukawa	Matsukawa	Nishijima	K.Yamazoe	No.	88075629
Rev. No.	Description						