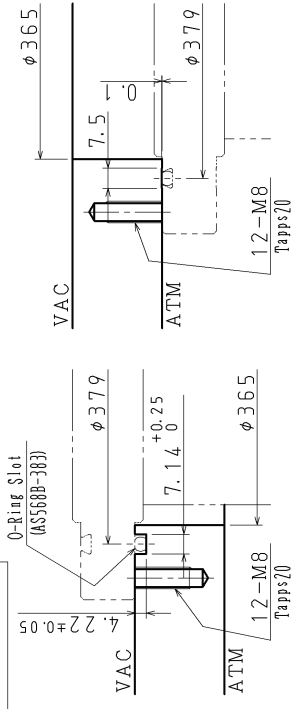
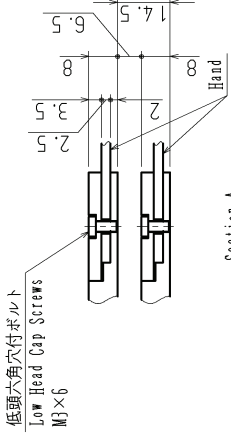
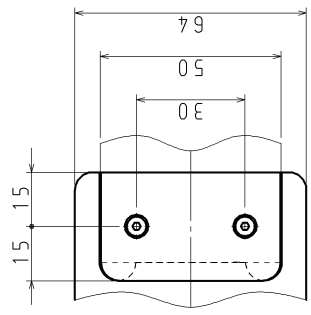


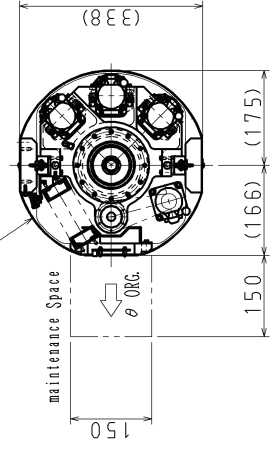
9085L088



Chamber Attachment Seat Details
(S = 1 : 2)

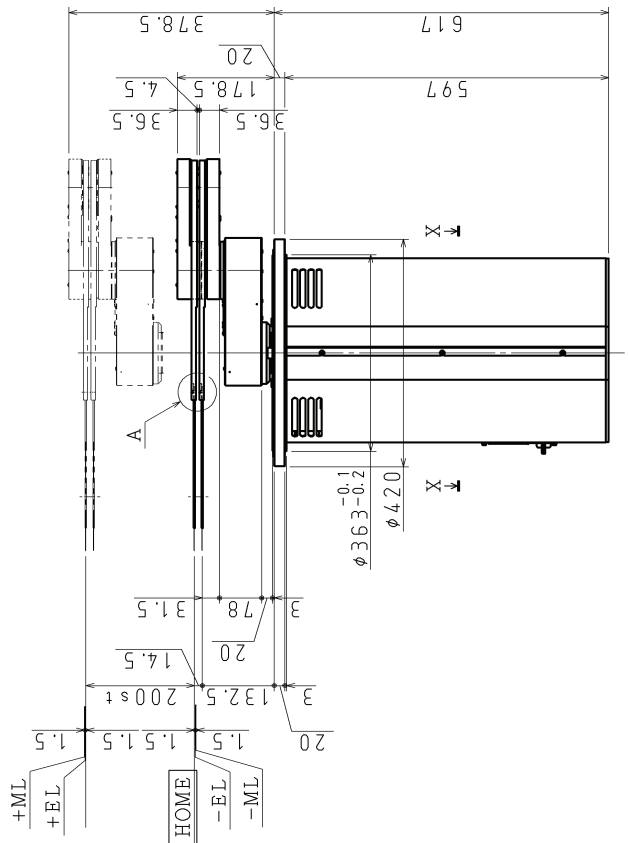
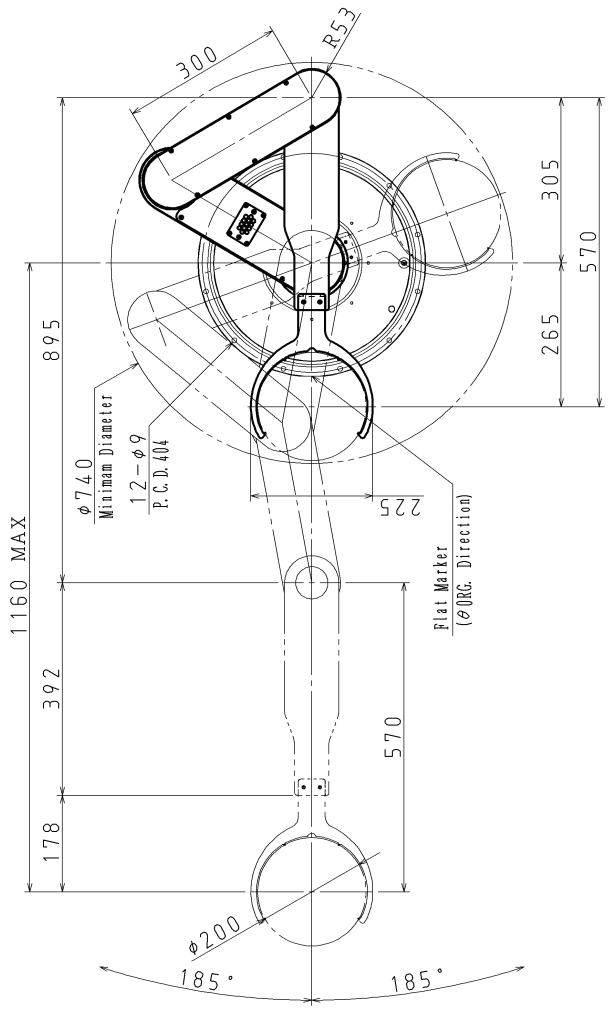


Section A
Hand Installation Details
S = 1 : 1.5



HOME	HOME position
RP	Reset Position
#ML	Mechanical Limit
#EL	Electric Limit
#SL	Soft Limit
MSO	Mapping Sensor Offset

Section X-X



Rev.No.	Description
1 : 10	
HARADA	HARADA
KYMAZAO	KYMAZAO
NAME	Robot Outline Drawing
CHECK	'13.06.17' '13.06.17' '13.06.17'
APPROVE	
MODEL	S0463 (MPL-DA3-2)
SCALE	
DRAW	
DESIGN	
TAZMO	

TAZMO CO., LTD.

SH88075771号基準

電子承認
E-Approval

88075806